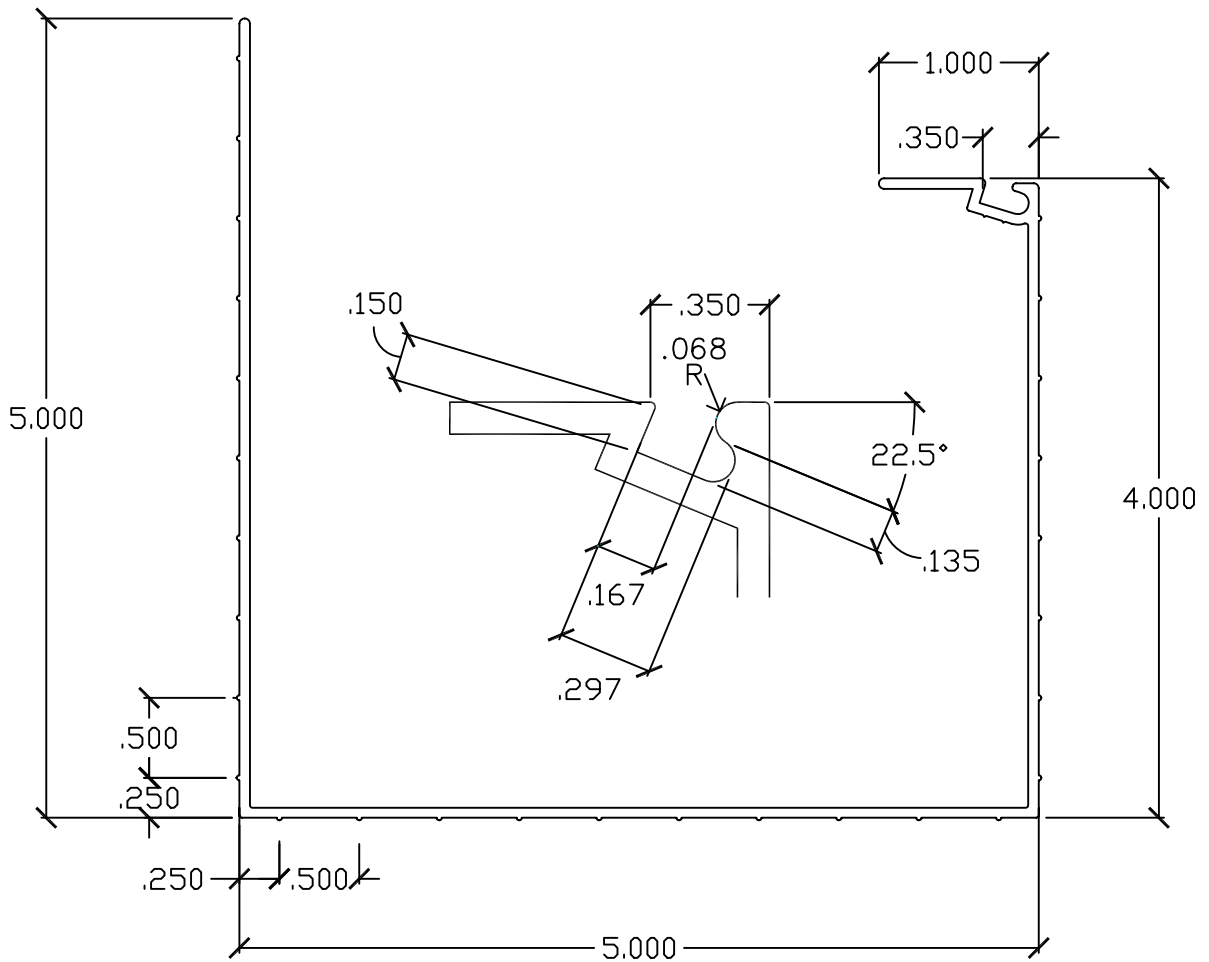


Appendix A - PARTS AND PROPERTIES

Updated September 29, 2005



5" SUPER GUTTER

UNLESS OTHERWISE SPECIFIED:
WALL THICKNESS TO BE 0.10"
BREAK SHARP CORNERS .016 R