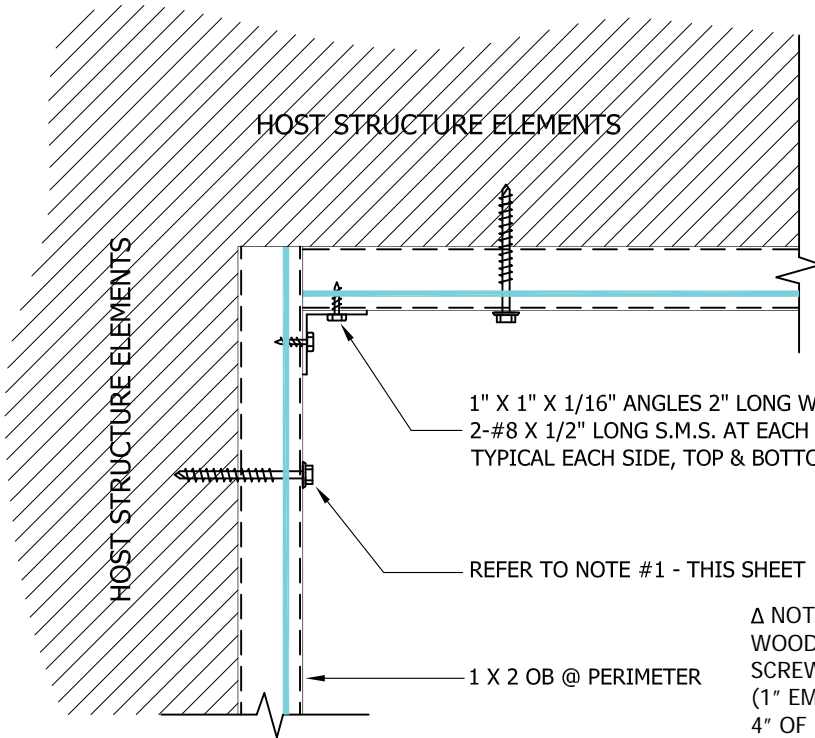
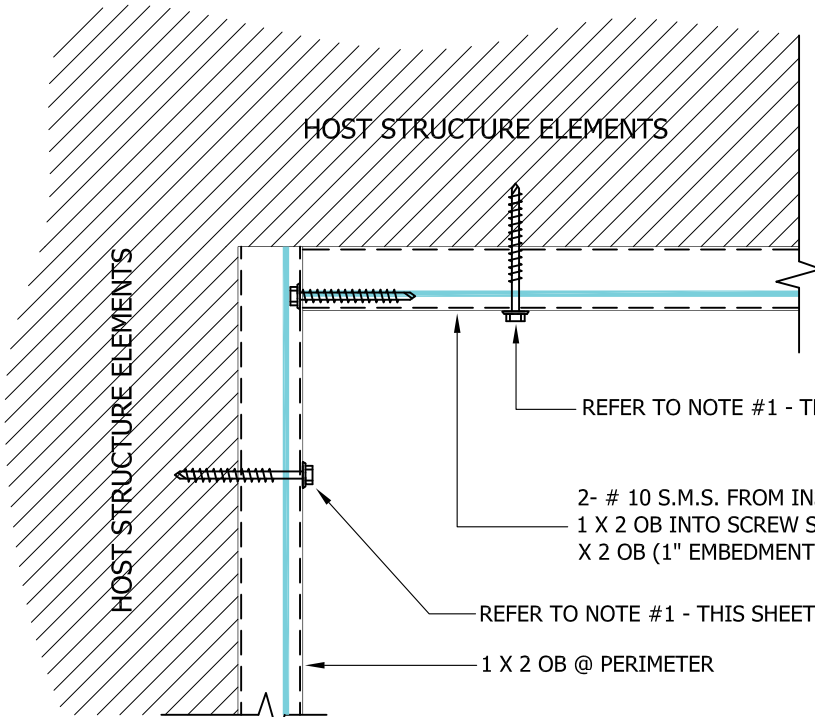


©COPYRIGHT 2010 NOT TO BE REPRODUCED IN WHOLE OR IN PART WITHOUT THE WRITTEN PERMISSION OF THE ALUMINUM ASSOCIATION OF FLORIDA



Δ NOTE #1: USE 1/4" Ø X 3" LONG LAG SCREWS INTO WOOD HOST AND 1/4" Ø X 2 1/4" LONG CONCRETE SCREWS INTO CONCRETE OR MASONRY CONSTRUCTION (1" EMBEDMENT TYPICAL) SPACING 24" O.C. AND WITHIN 4" OF EACH PERPENDICULAR MEMBER

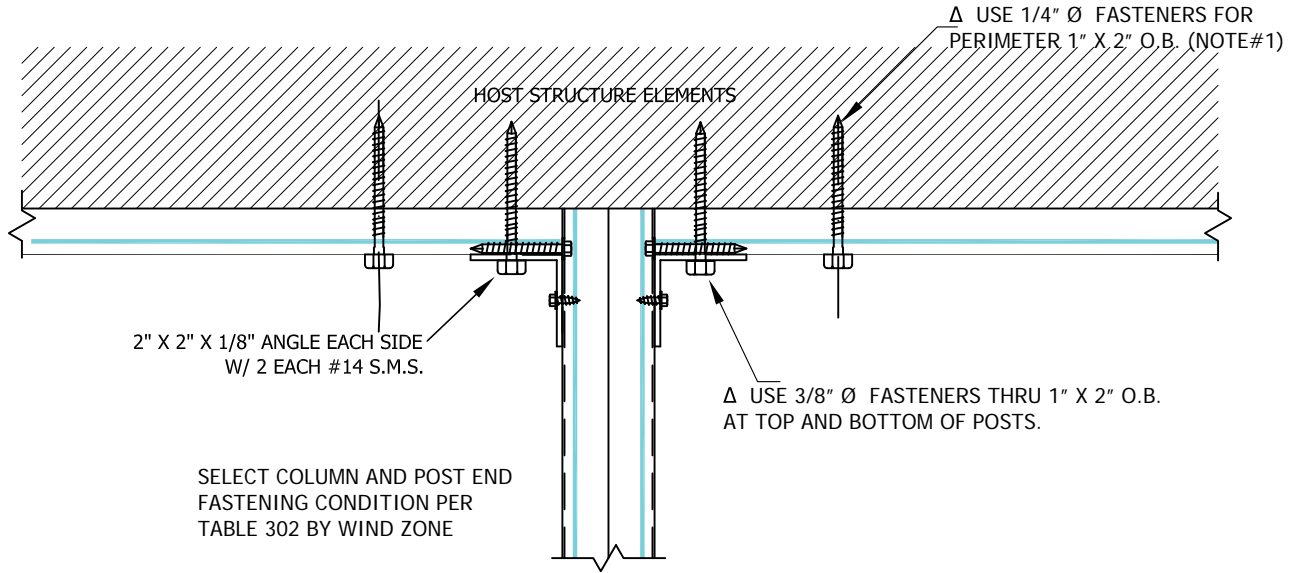
CONNECTION WITH EXPOSED FASTENERS



CONNECTION WITH CONCEALED FASTENERS

PARTIAL ELEVATIONS / 1X2 TO 1X2 CONNECTIONS

C6
3

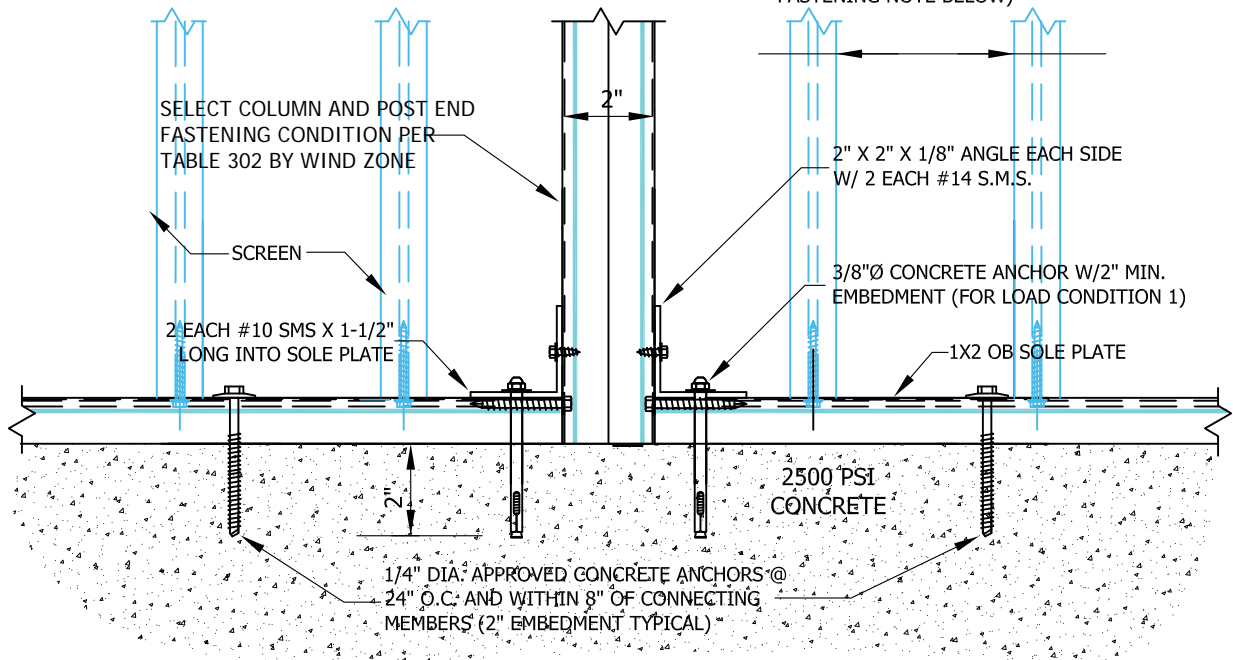


POST END TO HOST FASTENING
(PARTIAL ELEVATION @ SCREEN FACE)

C8
3

NOTE: IN SCREEN WALLS WITHOUT
GUARDRAILS, PICKETS NOT PRESENT. ALL
OTHER ATTRIBUTES OF DETAILS APPLY

PICKETS MAY BE 1" SQUARE (ISN# 5)
AT 4-7/8" (Max) O.C. OR, 3/4" SQUARE
(ISN# 13) AT 4-5/8" (MAX) O.C. (SEE
FASTENING NOTE BELOW)



POST TO FOUNDATION FASTENING
(PARTIAL ELEVATION @ SCREEN FACE)

C7
3

PICKET FASTENING: #10 SMS BY 1" EMBEDMENT
INTO PICKET SCREW SLOT(S), 2 EACH END FOR
1" PICKET, 1 EACH END FOR 3/4" PICKET.

© COPYRIGHT 2010 NOT TO BE REPRODUCED IN WHOLE OR IN PART WITHOUT THE WRITTEN PERMISSION OF THE ALUMINUM ASSOCIATION OF FLORIDA